

T660



EN

**OPERATING MANUAL**  
MATERIAL MOISTURE  
MEASURING DEVICE

## Table of contents

Notes regarding the operating manual .....	1
Information about the device .....	2
Technical data .....	3
Safety .....	3
Transport and storage .....	4
Operation .....	4
Measuring principle .....	8
PC software .....	9
Errors and faults .....	10
Maintenance .....	10
Disposal .....	11
Declaration of conformity .....	11

## Notes regarding the operating manual

### Symbols

**Danger!**

Warns of a hazard which can lead to personal injury.

**Caution!**

Warns of a hazard which can lead to damage to property.

The current version of the operating manual can be found at:  
[www.trotec.de](http://www.trotec.de)

### Legal notice

This release replaces all previous versions. No part of this publication may be reproduced without written permission from TROTEC®. The same applies for electronically processing, duplicating or spreading the publication. Subject to technical changes. All rights reserved. Trademarks are used without guarantee that they may be used freely and primarily following the spelling of the manufacturer. Product names are registered.

Changes to construction in the interests of constant improvements to the product, as well as changes to the shape and colour are reserved.

The scope of delivery may vary from product images. This document was created with all due care. TROTEC® accepts no liability whatsoever for possible mistakes or omissions.

The only party responsible for determining measured results to be valid, drawing conclusions and deriving actions is the user! TROTEC® accepts no claims of warranty for the correctness of the determined measured values or measured results. Further, TROTEC® accepts no liability whatsoever for possible mistakes or damage which have been caused by utilising the determined measured results. © TROTEC®

### Warranty

The warranty is for 12 months. Damages caused by incorrect use by untrained people or start-up by unauthorised people are excluded from the warranty.

The device complies with the fundamental health and safety requirements of the applicable EU regulations and was tested at the factory for perfect functionality multiple times. However, if faults in the functionality occur and cannot be remedied with the measures in the chapter Errors and faults, please get in touch with your dealer or distributor. When making a warranty claim, supply the device number (see the rear of the device). The invoice acts as warranty certificate. When manufacturer's instructions or legal regulations have not been followed, or after unauthorised changes to the device are made, the manufacturer is not responsible for the resulting damages. Changes to the device or unauthorised replacement of individual parts can drastically impact the electrical safety of this product and leads to the forfeit of the warranty. Liability does not extend to damages to people or property caused by the device being used other than as described in the instructions in this operating manual. Subject to changes to technical design and model changes as part of constant development and product improvement without prior notice.

No liability is accepted for damages resulting from improper use. In such cases, entitlements to a warranty are then also forfeited.

## Information about the device

### Description of the device

The material moisture measuring device T660 is a dielectric humidity sensor, which can be used for the quick and non-destructive localization of humidity or moisture distributions. The device enables the detection of near-surface moisture in walls or flooring. The measured values will be displayed in real time.

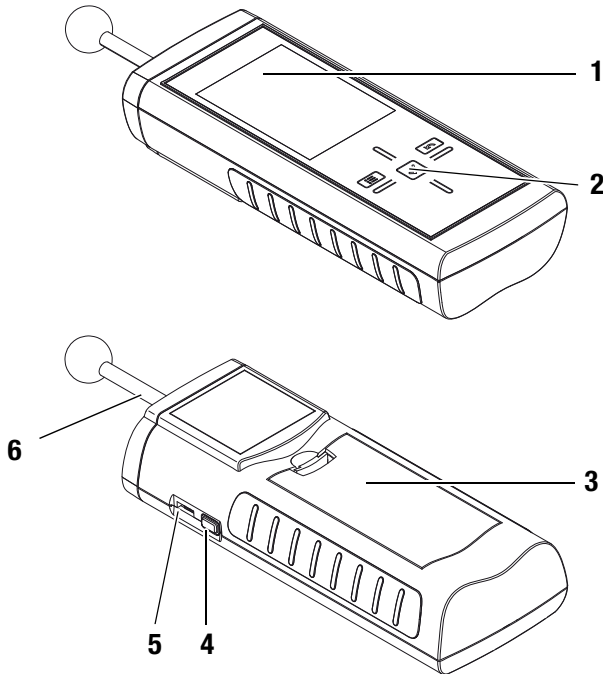
A minimum, maximum and average function is available for the direct analysis of the measured data. Besides, the currently measured value can be recorded via the hold function.

The device further features an alarm function. Once the preset limit value is exceeded, the device alerts the user through emitting an acoustic signal!

The device is suited for the preliminary check of the building materials' readiness for covering for subsequent measurements according to the calcium carbide method (CM measurement). The moisture indication allows the localization of the most significant measuring spots to extract material for the CM measurement.

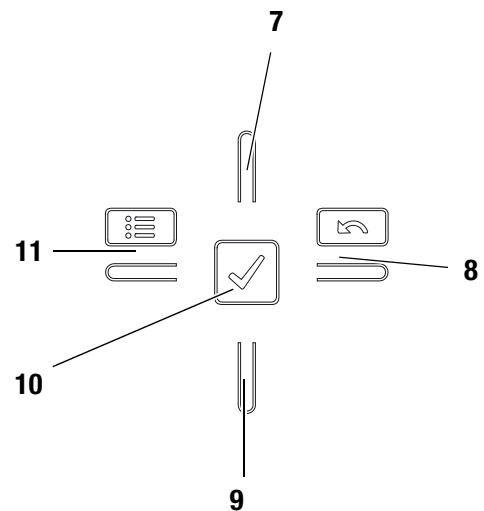
You can connect the device to a computer by using the USB cable included in the scope of delivery. Then you can extract and analyse your measured results with the optional MultiMeasure Studio software.

### Device depiction



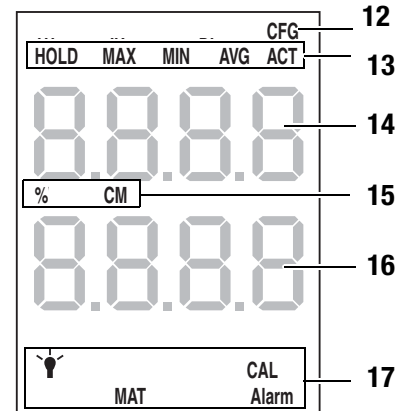
No.	Operating element
1	Display
2	Cross control
3	Battery compartment with battery cover
4	On/Off key
5	USB interface
6	Measuring head

### Cross control



No.	Operating element
7	Up key
8	Right/back key
9	Down key
10	OK button
11	Left/menu key

### Display



No.	Display element
12	Configuration mode display
13	Measuring mode
14	Measurement value display top
15	Display of the selected unit
16	Measurement value display bottom
17	Configuration mode options

## Technical data

Parameter	Value
Model	T660
Dimensions (L x W x H)	209 mm x 63 mm x 35 mm
Weight incl. batteries	approx. 300 g
Measuring range	0 to 200 digits
<b>Operating range</b>	
Operating temperature	0 °C to +50 °C
Relative humidity	< 90 % or < 20 g/m <sup>3</sup> (non-condensing)
<b>Storage</b>	
Relative humidity	< 95 % (non-condensing)
Ambient temperature	-20 °C to +60 °C
<b>Energy</b>	
Battery	4 x Alkaline LR6 AA, 1.5 V batteries comparable NiMH rechargeable batteries (>2500 mAh)
Current consumption, active	approx. 80 mA
Current consumption, passive	approx. 70 µA
Battery life	at least 30 h

## Scope of delivery

The scope of delivery includes:

- 1 x Material moisture measuring device T660
- 1 x USB cable
- 4 x Alkaline LR6 AA, 1.5 V batteries
- 1 x Display protection film
- 1 x Getting started guide
- 1 x Factory test certificate

## Safety

**Carefully read the operating manual before using the device and keep it within reach!**

- Do not use the device in atmospheres containing oil, sulphur, chlorine or salt.
- Never use the device for measurements at live parts.
- Ensure that all connection cables are protected from damages (e.g. from kinks or crushing).
- Protect the device from permanent direct sunlight.
- Observe the storage and operating conditions (see chapter Technical data).

## Intended use

Only use the material moisture measuring device T660 for the moisture measurement of building materials.

Here, read and observe the technical data.

To use the device for its intended use, only connect and use accessories and spare parts which have been approved by TROTEC®.

## Improper use

Do not use the device in potentially explosive atmospheres, or for measurements in liquids. TROTEC® accepts no liability for damages resulting from improper use. In such a case, entitlements to a warranty are forfeited. Any unauthorised modifications, alterations or structural changes to the device are forbidden.

## Personnel qualifications

People who use this device must:

- have read and understood the operating manual, especially the Safety chapter.

**For maintenance or repair work which requires the housing to be opened, contact TROTEC® customer service. Devices which have been opened unlawfully are void of any warranty and warranty claims.**

## Residual risks



### Danger!

Do not leave the packaging lying around. Children may use it as a dangerous toy.



### Danger!

The device is not a toy and does not belong in the hands of children.



### Danger!

Dangers can occur at the device when it is used by untrained people in an unprofessional or improper way. Observe the personnel qualifications.



### Caution!

To prevent damages to the device, do not expose it to extreme temperatures, extreme humidity or moisture.



### Caution!

Do not use abrasive cleaners or solvents to clean the device.

## Transport and storage

### Transport

Use a suitable bag to transport the device safely.

### Storage

When the device is not being used, observe the following storage conditions:

- dry,
- protected from dust and direct sunlight,
- with a plastic cover to protect it from invasive dust, if necessary.
- The storage temperature is the same as the range given in the chapter Technical data.
- When storing the device for a long time, remove the batteries.

### Accessories

Optionally, the following accessories are available for transport and storage:

- TROTEC® Holster 3

For further information please contact your TROTEC® customer service.

## Operation

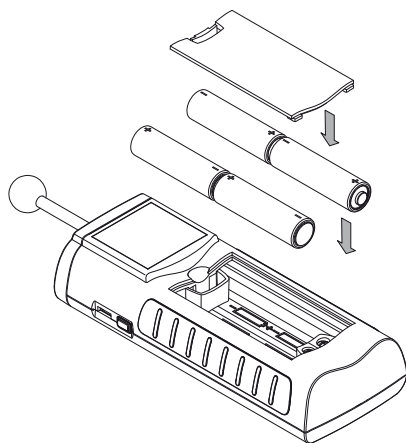
### Inserting the batteries

- Insert the supplied batteries before first use.



#### Caution!

Make certain that the surface of the device is dry and the device is switched off.



1. Open the cover of the battery compartment (3).
2. Insert the batteries in the compartment as indicated in the figure.
3. Close the cover of the battery compartment (3).
  - The device can now be switched on.

### Switching on

#### Note:

The cross control is very sensitive. Therefore, avoid dirt on the control panel, because it could be misinterpreted by the device as keystroke.

Before use make sure that the touchscreen control panel is dirt-free.

If required clean the touchscreen control panel according to chapter Cleaning the device on page 10.

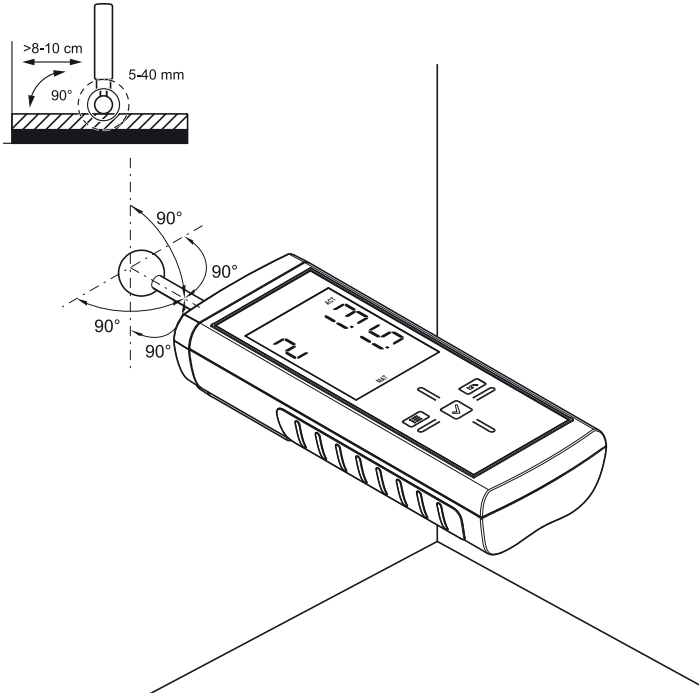
1. Hold the device pointing into clear space.
  - The device should point away from the body and not at or near material surfaces. When failing to observe the above instructions, the following calibration will be corrupt.
2. Press the On/Off key (4) until a beep is emitted.
  - The device name and firmware version is shown on the display.
  - The battery charge is indicated on the display.
  - The device carries out an automatic calibration. During calibration the display indicates the lettering *CAL*. These flashing characters are accompanied by brief acoustic signals.
  - An extended acoustic signal indicates that the calibration has been completed.
  - The device is ready for operation.

## Carrying out a measurement

### Note:

Note that moving from a cold area to a warm area can lead to condensation forming on the device's circuit board. This physical and unavoidable effect can falsify the measurement. In this case, the display shows either no measured values or they are incorrect. Wait a few minutes until the device has become adjusted to the changed conditions before carrying out a measurement.

Please observe the information regarding the measurement principle.



1. Hold the measuring device at the black rubber surfaces and maintain this position, for otherwise the measurement results might be falsified.
2. Firmly place the measuring head in a vertical position on the good to be measured.
3. Observe a minimum distance of 8 to 10 cm to corners.
4. Read the measured value from the display.

## Carrying out a comparative measurement

1. Look for a preferably dry spot at the component.
2. Perform a measurement as previously described.
  - The thus determined measured value will be the reference value for *dry*.
3. Look for a preferably damp or wet spot at the component, if any.
4. Perform a measurement as previously described.
  - With regard to the present conditions, the thus determined measured value will be the reference value for *damp/wet*.
5. Carry out further measurements at the component.
  - Higher measured values usually signify a higher moisture content in the near-surface area of the material to be measured.

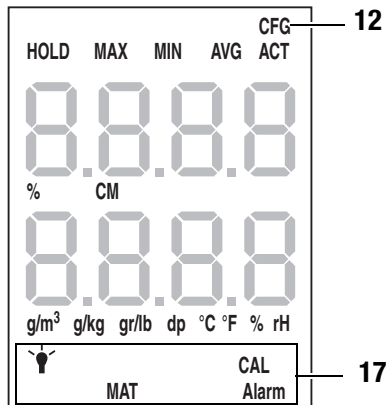
Particularly for larger areas, it is always recommended to perform measurements in form of a preferably close-meshed grid, for it is only this way that changes in the moisture content of the material can relatively confidently be detected and occasional outliers minimized.

### Key lock

1. Briefly press the On/Off key (4) during operation.
  - The device emits a short beep.
  - The following message appears on the display: LoC on.
  - Key lock is activated.
2. Press the On/Off key (4) again.
  - The device emits a short beep.
  - The following message appears on the display: LoC off.
  - Key lock is no longer activated.

## Configuration mode

- Press the Left/menu key (11) for approx. 2 seconds.
  - The device emits a short beep.
  - The CFG symbol (12) is displayed in the upper right corner.
  - The available options for configuration mode (17) are displayed.
- Use the cross control (2) to select the desired option.
- Confirm the selection by pressing the OK button (10).
  - The selected symbol will be illuminated.



Configuration mode	Description
ALARM	Setting the threshold value for the alarm
Lamp	Adjusting the display illumination
MAT	Material settings
CAL	Setting the offset

## Setting the alarm

Here you can determine the limit value for the alarm function. Upon exceeding this value, the device emits an acoustic signal and the indication ALARM (17) flashes. The alarm function draws on the current digit measured value. The limit value can be determined within a range of 0 to 200.

- Select ALARM (17) whilst in configuration mode.
- Press the OK button (10) to confirm.
  - The upper measurement value display (14) flashes.
- Press the Up (7) or Down (9) key to activate or deactivate the alarm.
  - On* or *Off* will be indicated in the upper measurement value display (14).
- Press the Right/back key (8).
  - Depending on the selection, the alarm is either activated or deactivated.
  - The lower measurement value display (16) flashes.
- Press the keys Left/menu (11) or Right/back (8) to select a digit.
  - The selected digit flashes.
- Press the Up (7) or Down (9) key to change the value of the selected digit.
- Repeat the steps 5. and 6. until the value is set as desired.
- Press the OK button (10) for approx. 2 seconds.
  - The alarm was set based on your choice.
  - The device switches to measuring mode.
  - With activated alarm function the indication ALARM (17) continues to be displayed.

## Adjusting the display illumination

The display illumination can be adjusted within a range of 20 to 100 %. Another available setting is AL.on. AL.on features a brightness of 100% and deactivates the automatic switch-off function.

- Select the lamp (17) whilst in configuration mode.
- Press the OK button (10) to confirm.
- Select the desired value by use of the Up (7) or Down (9) key.
- Press the OK button (10) for approx. 2 seconds.
  - The set value will be adopted.
  - The device switches to measuring mode.

**Material settings**

Here you can select the construction material for the measurement. The following options are available:

- 0 no: No material selected.
- 1 An: The selected material is anhydrite screed.
- 2 Ce: The selected material is cementitious screed.

Please note that in case of the settings 1 and 2 an additional value will be indicated in the upper measurement value display (14). It is a combination of the material (1 or 2) and the calculated percentage.

- **Example:** 2\_7.5 (7.5 % with cementitious screed).

1. Select MAT (17) whilst in configuration mode.
2. Press the OK button (10).
3. Select the desired value by use of the Up (7) or Down (9) key.
4. Press the OK button (10) for approx. 2 seconds.
  - The device switches to measuring mode.
  - With either setting 1 or 2 the indication MAT (17) continues to be displayed.

**Setting the offset**

By use of CAL a single-point calibration can be carried out for the selected sensor indications. All sensors are already factory-calibrated and have a corresponding characteristic calibration curve. By stating a calibration value (offset) a global shift of the calibration curve, which has an effect on the entire measuring range, is performed for the single-point calibration! The offset value to be entered is that value by which the calibration curve will be shifted.

Example:

The displayed value is always 5 too high => change the offset value for this measurement channel to -5.

The offset value's default setting is 0.0.

Changing the offset value brings about an automatic reset of the measured values.

1. Select CAL (17) whilst in configuration mode.
2. Press the OK button (10).
3. Press the keys Left/menu (11) or Right/back (8) to select a digit.
  - The selected digit flashes.
4. Press the Up (7) or Down (9) key to change the value of the selected digit.
5. Repeat the steps 5. and 6. until the value is set as desired.
6. Press the OK button (10) for approx. 2 seconds.
  - The offset is set.
  - The device switches to measuring mode.
  - With set offset value the indication CAL (17) continues to be displayed.

**Exiting configuration mode**

Configuration mode will automatically be terminated after 8 seconds without entry.

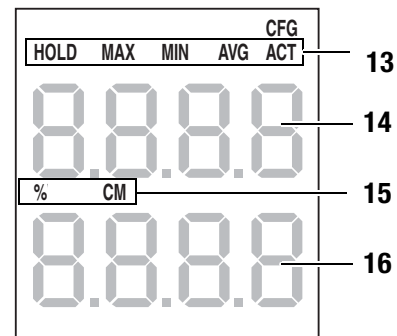
You can quit configuration mode yourself anytime. Please note that in such an event no changes made to the settings will be adopted.

1. Press the Right/back key (8) for approx. 2 seconds.
  - Configuration mode will be terminated.

**Measuring mode**

In the lower measurement value display (16) the measured value is indicated in digits. In the upper measurement value display (14) the measured value is indicated in % (mass-%) or %CM – depending on the chosen setting.

1. Press the keys Right/back (8) or Left/menu (9) until the desired measuring mode is displayed.



The device comes with the following measuring modes:

Measuring mode	Description
ACT	Measured value in real time
AVG	Average value of measurements since switch-on
MIN	Minimum measured value
MAX	Maximum measured value
HOLD	Measured value will be held

**Holding the measured value**

1. Set the measuring mode to HOLD.
  - The current measured value will be held and displayed.
  - The device will hold this value until the measured values are set back or the device is switched off.

**Resetting the measured values**

1. Press the OK button (10) for approx. 2 seconds.
  - All previously stored measured values of the measuring modes AVG, MIN, MAX and HOLD will be set back.
  - All measured values are then determined anew based on the measurement proceeding in the background.



## Checking current settings

1. Press the Right/back key (8) for approx. 2 seconds.
  - The selected settings are indicated in the two measurement value displays (14, 16).

## Measured value storage

Please note that measured values cannot be saved on the device itself. In order to save measured values, the device has to be connected to a PC via a USB cable using the MultiMeasure Studio software.

1. Briefly press the OK button (10).
  - The displayed measured value will be saved in the software.

Further information can be gathered from the help text of the MultiMeasure Studio software.

## USB interface

The device can be connected to a PC via the USB interface (5). See chapter PC software on page 9.

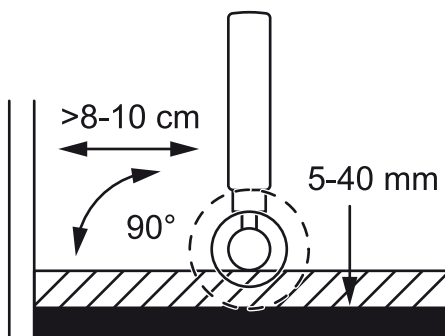
## Switch-off

1. Press and hold the On/Off key (4) for approx. 4 seconds until a beep is emitted.
  - The device will be switched off.

## Measuring principle

The measurement is effected according to the dielectric measuring principle.

### Notes regarding the measurement principle



- The measurement results are **only to be used as reference for a rough orientation**.
- An important variable influencing the measured value is the bulk density of the good to be measured. The higher the bulk density, the higher the measured value.
- Before measuring, the measuring point is to be cleared of any impurities (e.g. paint residues, dust).
- If the material to be measured contains metal (e.g. nails, screws, lines, pipes, etc.) and is situated within the sensor's measuring field, the measured value skyrockets. In that event the measurement is not conclusive.

- When the ball head is held to corners (e.g. window frames), the measured value is generally higher, because there is more matter in the measuring head's stray field. Toward a corner a distance of more than 8 to 10 cm has to be observed.
- During the measurement always hold the measuring head (6) in a vertical position to the measured material, press it to the surface and do not tilt it.
- Rough surfaces will always result in a too low measured value.
- Depending on the material's bulk density, the device's impact depth amounts to 20 to 40 mm. Conclusions regarding zones located at a lower level cannot be drawn.
- With material thicknesses of less than 20 mm there is a danger of humidity values from adjacent material layers affecting the measured value.
- The dielectric measurement method's main area of use consists in comparative measurements at the same construction material or similar components. Therefore, this method is well suited for the examination of water damage, leak detection and the localization of moisture zones for the purpose of marking the measuring spot for CM measurements.

## Measured value assessment for wood

The measurement result is either in the dry or the saturated area. Saturated means that in addition to the water bound within the wood there is further liquid. If there is, hence, a measured value of more than 80, the wood is most like soaked.

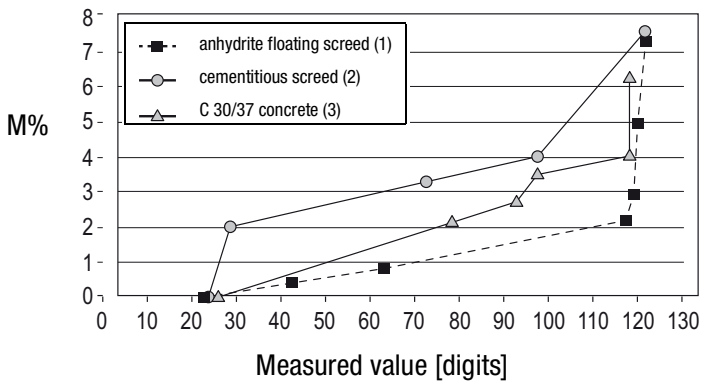
Display [digit]	Wood moisture zone
< 50 digits	dry
> 80 digits	limit to the saturated range

Since the measurement value displays of the dielectric measurement method – depending on marginal conditions – are subject to great fluctuations, a resistance measurement is always preferable, in particular for the determination of wood moisture.

**Measured value assessment for building material**

For building materials the measurement results of the dielectric measuring method can only be used as reference for a rough orientation. Conclusions with respect to absolute humidity in mass % (M%) can only be drawn for measurements, performed with the exact same marginal conditions and compositions of the building material as indicated for the test set-up in the chart below.

This graph was created in collaboration with the Institute of Building Materials Research of the RWTH Aachen (IBAC) and illustrates the correlation between the measured value and the mass-related moisture content of the examined building materials.



<sup>1</sup> [M-% = CM-%], <sup>2</sup> [CM-% = M-% - 1.5...2], <sup>3</sup> [ ]

The spread of the achieved measurement results for the dielectric measuring method is clearly higher than for the resistance measuring method.

The dielectric measuring method is not suited for the quantitative, but only for the qualitative moisture measurement in near-surface areas.

The indicated measured values are not the result of a qualified moisture measurement as per VOB (German Construction Contract Procedures) or relevant specialist regulations.

The measured values are only to be interpreted as indicators (dry, damp, wet).

For building materials the measurement results of the dielectric measuring method can only be used as reference for a rough orientation.

Display [digit]	Building moisture zone
< 40 digits	dry
40 - 80 digits	damp
> 80 digits	wet

**PC software**

Use the MultiMeasure Studio Standard PC software (free standard version) or MultiMeasure Studio Professional (paid professional version, dongle required) to carry out a detailed analysis and visualisation of your measured results. You can only use all configuration, visualisation and functional options of the device when using this PC software and a TROTEC® USB dongle (professional).

**Installation requirements**

Ensure that the following minimum requirements for installing the MultiMeasure Studio Standard or MultiMeasure Studio Professional PC software are fulfilled:

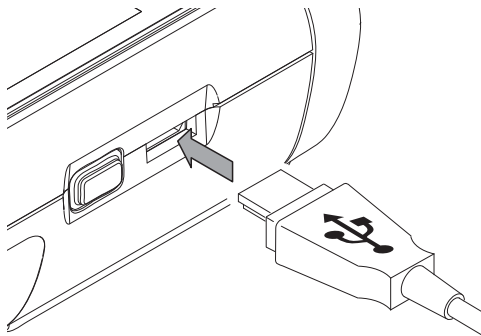
- Supported operating systems (32 or 64 bit version):
  - Windows XP from service pack 3
  - Windows Vista
  - Windows 7
  - Windows 8
- Software requirements:
  - Microsoft Excel (to display stored Excel files)
  - Microsoft .NET Framework 3.5 SP1 (is otherwise automatically installed during the software installation)
- Hardware requirements:
  - Processor speed: min. 1.0 GHz
  - USB connection
  - Internet connection
  - 512 MB RAM, minimum
  - 1 GB hard disk space, minimum
  - Optional: TROTEC® USB dongle (Professional) for using the professional version of the PC software

## Installing the PC software

1. Download the current PC software from the Internet. To do so, visit the website [www.trotec.de](http://www.trotec.de). First click on *Service*, followed by *Downloads* and then *Software*. Select the MultiMeasure Studio Standard software from the list. If you want to use the optionally available professional version of the PC software MultiMeasure Studio Professional (dongle), then get in touch with your TROTEC® customer service.
2. Double-click on the downloaded file to start the installation.
3. Follow the instructions of the installation wizard.

## Starting the PC software

1. Connect the device to your PC via the USB connection cable provided in the scope of delivery.



### Note:

Step 2 only needs to be performed, when using the Professional software functions.

If you only use the Standard software functions, please proceed to step 3.

2. In order to enable the Professional functions, connect the TROTEC® USB dongle to a free USB port on your PC.
  - The TROTEC® USB dongle (Professional) is automatically detected by the operating system.
  - If you only connect the TROTEC® USB dongle (Professional) to your PC after starting the PC software, click the *Parameters* menu item in the PC software. Afterwards, click the USB symbol (dongle check) to read the connected TROTEC® USB dongle (Professional).
3. Switch on the device (see chapter Switching on on page 4).
4. Start the MultiMeasure Studio software.

Information regarding the use of the MultiMeasure Studio software is provided in the help text of the software.

## Errors and faults

The accurate functionality of the device was tested during production a number of times. However, if functionality faults do occur, then check the device according to the following list.

### The device does not switch on:

- Check the charging status of the batteries. Change the batteries when the message *Batt lo* is displayed upon switch-on.
- Check that the batteries are properly positioned. Check the polarity is correct.
- Never carry out an electrical check yourself; instead, contact your TROTEC® customer service.

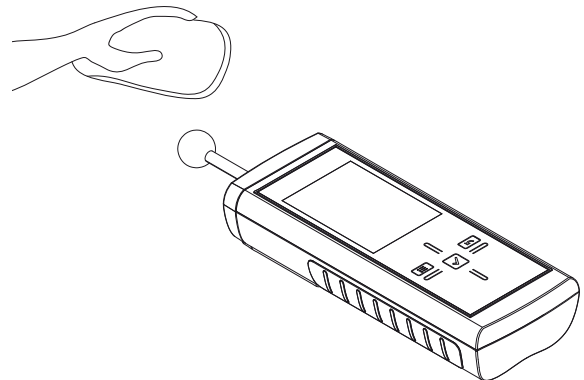
## Maintenance



**For maintenance or repair work which requires the housing to be opened, contact TROTEC® customer service. Devices which have been opened unlawfully are void of any warranty and warranty claims.**

## Cleaning the device

1. Use a soft, lint-free cloth for cleaning.
2. Dampen the cloth with clean water. Do not use sprays, solvents, alcohol-based or abrasive cleaners to dampen the cloth.
3. Clear dirt from the housing, the connections and the colour display.



## Battery change

Change the batteries when the message *Batt lo* is displayed upon switch-on or the device can no longer be switched on. See Inserting the batteries on page 4.

## Disposal



In the European Union, electronic equipment must not be treated as domestic waste, but must be disposed of professionally in accordance with Directive 2002/96/EC of the European Parliament and Council of 27th January 2003 concerning old electrical and electronic equipment. After the end of its use, please dispose of this device in a manner appropriate to the relevant legal requirements.

In the European Union, batteries must not be treated as domestic waste, but must be disposed of professionally in accordance with Directive 2006/66/EC of the European Parliament and Council of 6th September 2006 concerning batteries and accumulators. Please dispose of batteries in a manner appropriate to the relevant legal requirements.

## Declaration of conformity

in accordance with the EC Low Voltage Directive 2006/95/EC and the EC Directive 2004/108/EC about electromagnetic compatibility.

Herewith, we declare that the T660 material moisture measuring device was developed, constructed and produced in compliance with the named EC directives.

The  $\text{C} \text{E}$  marking is found on the rear of the device.

Manufacturer:

Trotec GmbH & Co. KG

Grebber Straße 7

D-52525 Heinsberg

Phone: +49 2452 962-400

Fax: +49 2452 962-200

E-mail: [info@trotec.de](mailto:info@trotec.de)

Heinsberg, 31/03/2014

Managing Director: Detlef von der Lieck

**TROTEC GmbH & Co. KG**

Grebener Str. 7  
52525 Heinsberg  
Deutschland

☎ +49 2452 962-0

☎ +49 2452 962-200

[info@trotec.com](mailto:info@trotec.com)

[www.trotec.com](http://www.trotec.com)